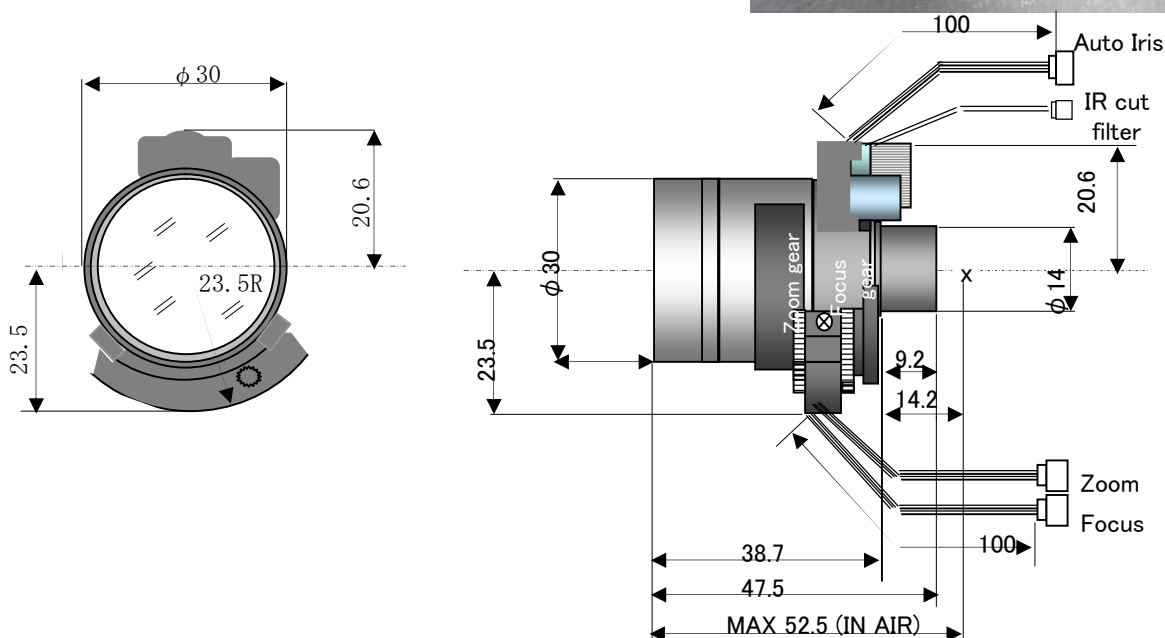


# Kawaden CCTV LENS

## BKV0650D IRF-2M

### Motorised "Zoom & Focus" Long Focus Varifocal Lens for 1/3" & 1/4" Board Camera

6-50mm F1.6 1/3"  
 2 stepping motors for Zoom & Focus  
 DC Iris IR corrected with Removal IR cut filter  
 14mm diameter – straight board mount  
 ED glass employed



#### Specifications

Model No.	BKV0650D IRF -2M	Effective Lens Diameter	Front	$\phi$ 22.0mm	
Focal Length	6-50mm		Rear	$\phi$ 7.34mm	
Max. Aperture Ratio	1:1.6-360	Flange Back Length	14.2mm		
Max Image Format	1/3" & 1/4"	M.O.D.	0.3m - $\infty$		
Operation	Iris	Auto (F1.6 - 360)	Mount		
	Focus	Stepping Motor	Weight		
	Zoom	Stepping Motor	Dimensions		
Angle of View (1/3")	D	54.6° (W) - 7.1° (T)	Operating Voltage	Open	Less than 4.0V
	H	43.9° (W) - 5.7° (T)		Close	More than 0.5V
	V	33.2° (W) - 4.3° (T)	Operating Temperature	-10°C - +50°C	

Specifications are subject to change without notice

**Kawaden Co., Ltd.**